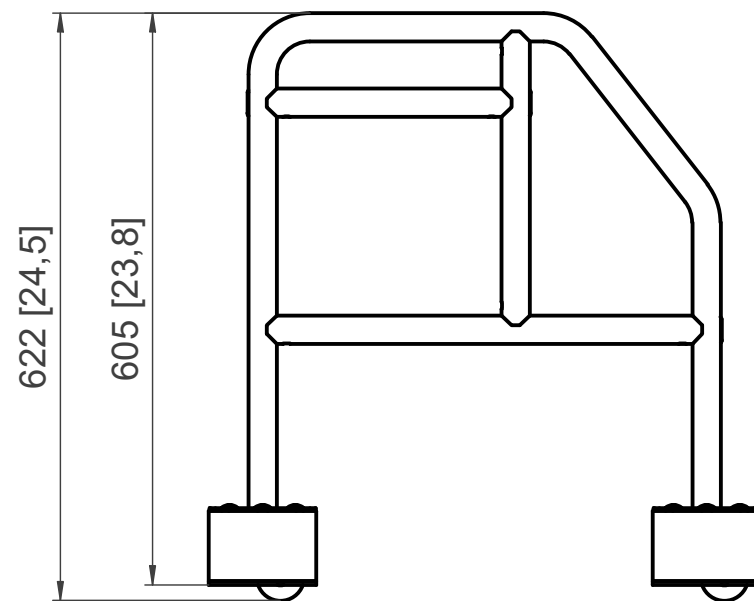
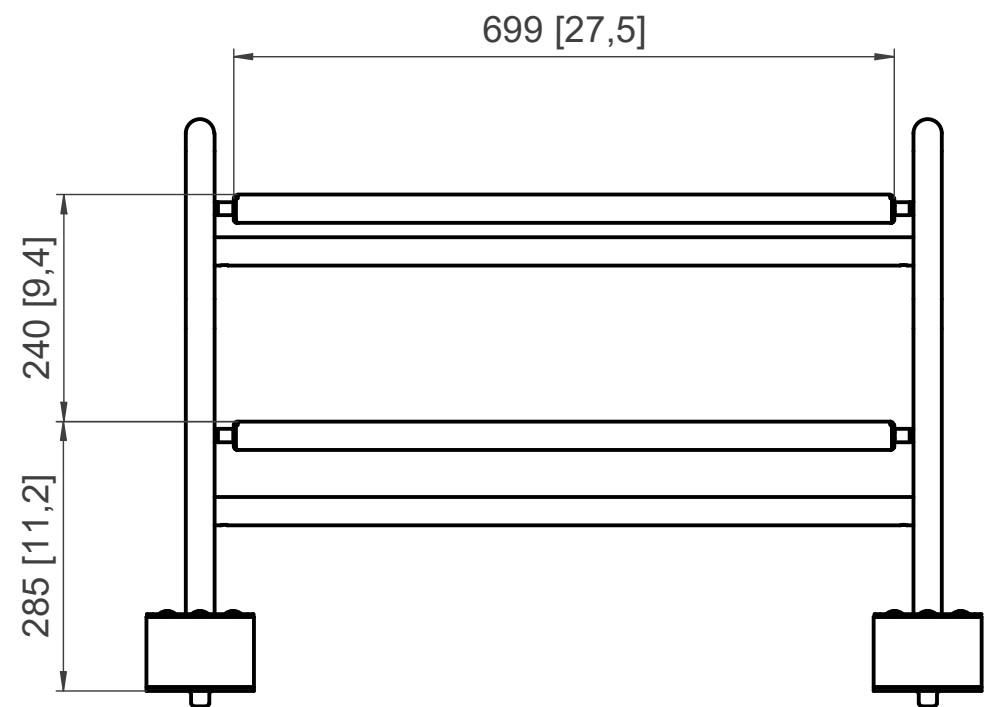
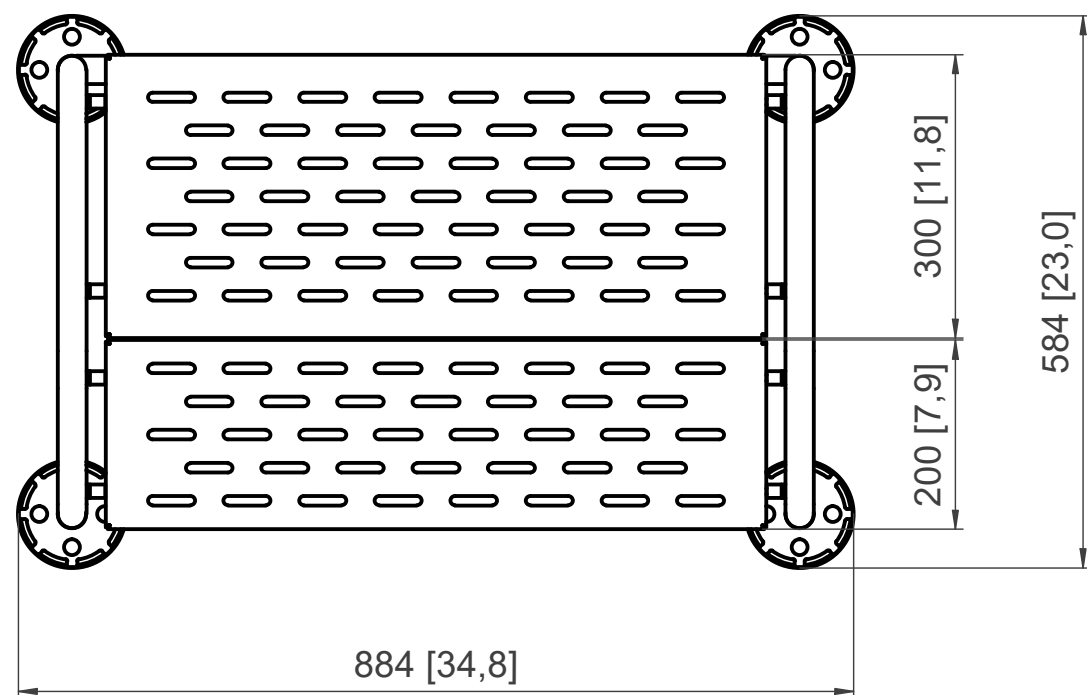
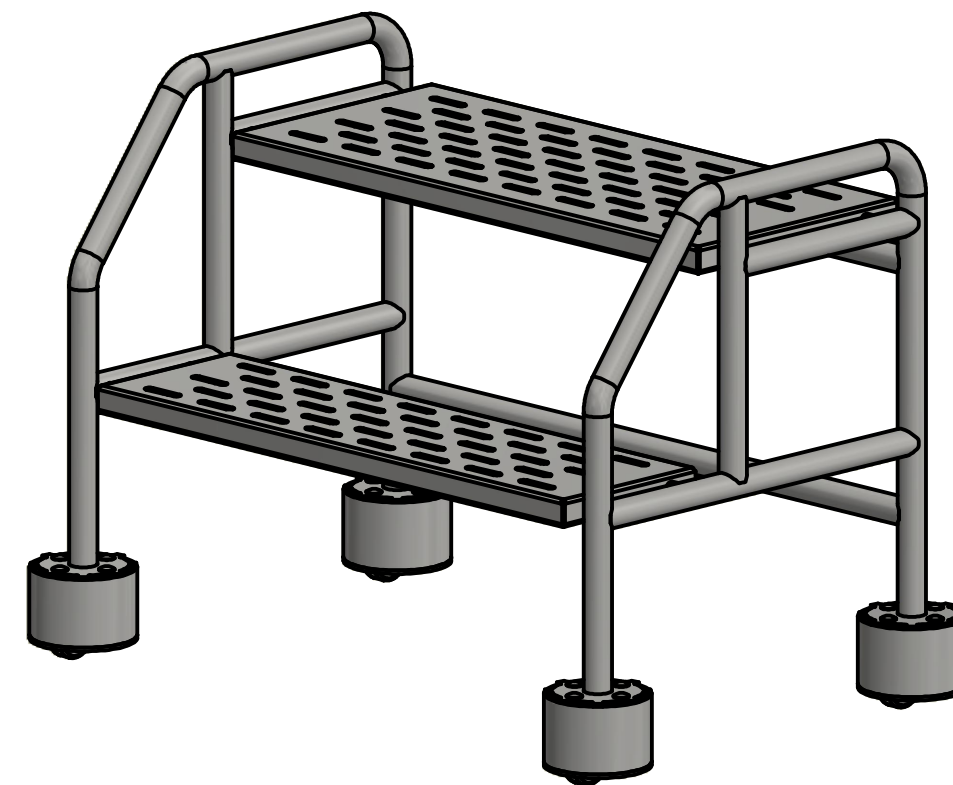


Fabrication materials: Stainless Steel 304L with electro-polished finish

General Warning !
 Step Stools can be dangerous items if not used correctly.
 Palbam takes no responsibility if step stools used incorrectly.
 Customer must approve design and dimensions.



retractable casters



Always use the right type of step stool for the job.
 Always check that your step stool is in good working condition prior to use.
 Never over-reach: keep your body centered on the step stool at all times.
 Never have more than one person on a step stool at one time.
 Don't overload the step stool; remember that the maximum load (120kg) includes any equipment that you need to have with you.

Estimation total weight 20 kg	VARIATION IN DIMENSIONS WITHOUT TOLERANCE IND. DIN 7168		PalbamClass EN HAROD IHUD	EUROPE PROJ
	BREAK EDGES 0.3x45	STATUS MEDIUM		
ALL RIGHTS STRICTLY RESERVED USE, REPRODUCTION OR ISSUE TO THIRD PARTY IN ANY FORM WHATEVER IS NOT PERMITTED UNLESS AUTHORIZED IN WRITING BY THE PROPRIETOR PalbamClass IL-18960 EN-HAROD IHUD-ISRAEL.	INNER RADIUS	SURF. ROUGH. PER ISO 1302	2 Step Stool with retractable casters	
	DESG	DATE 13/02/2007	NAME Alexey	SCALE A3
	APPR		DWG. No.	PCCL0801-000
				SHEET 1 / 1

CONTROLLED COPIES OF THIS DOCUMENT HAVE A RED ISSUE DATE STAMP, THESE COPIES WILL BE UPDATED BY PALBAM CLASS INFORMATION SYSTEM. ANY OTHER COPY IS NOT CONTROLLED AND THEREFORE NOT UPDATED. PLEASE CHECK WITH INFORMATION SYSTEM FOR VALIDITY OF DOCUMENT.